

Thinking
Works

Okidoki

Specification Guide

Okidoki

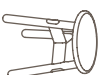
Who says you can't mix
business with pleasure?

Okidoki could be
brightening the office
one day, then bringing
its casual cool to your
home the next. In any
environment, its cheeky
personality is always
on display.

Okidoki

Stools

5-7

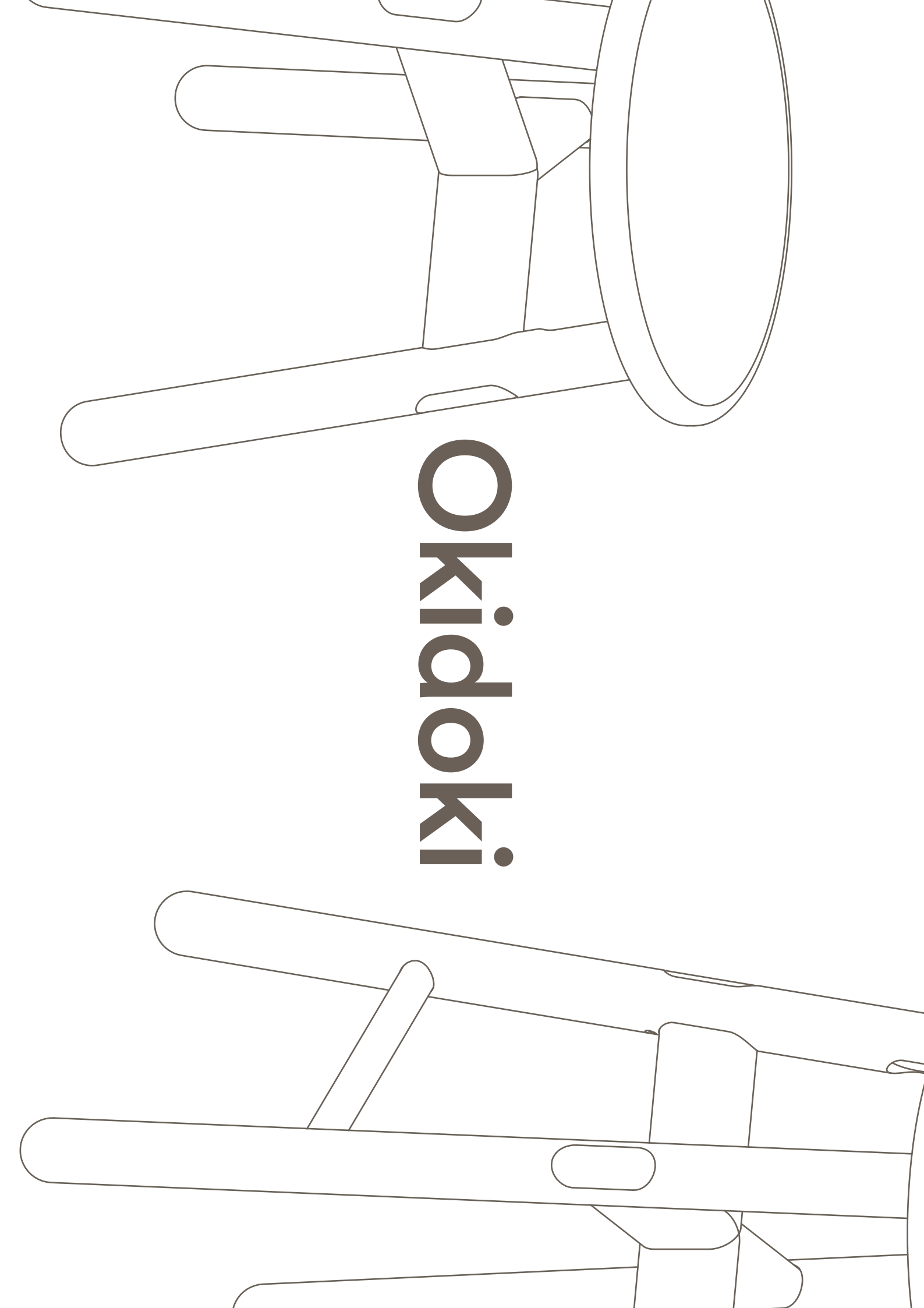


Chairs

8-9



Okidoki



Stools Finishes

Featuring solid timber legs available in Ash, Walnut, Black or White, the timber colour range is designed to either compliment or contrast the steel and aluminium framework.

1. Stool

Featuring timber legs available in Ash, Walnut and premium finishes of Black or White solid colour with exposed timber grain, the legs can be finished to either compliment or contrast the steel and aluminium framework and footrest.



2. Frame Finishes

Okidoki steel and aluminium frame is available in our current season powdercoat colours listed. Custom colours are also available.



3. Seasonal Solid Colour

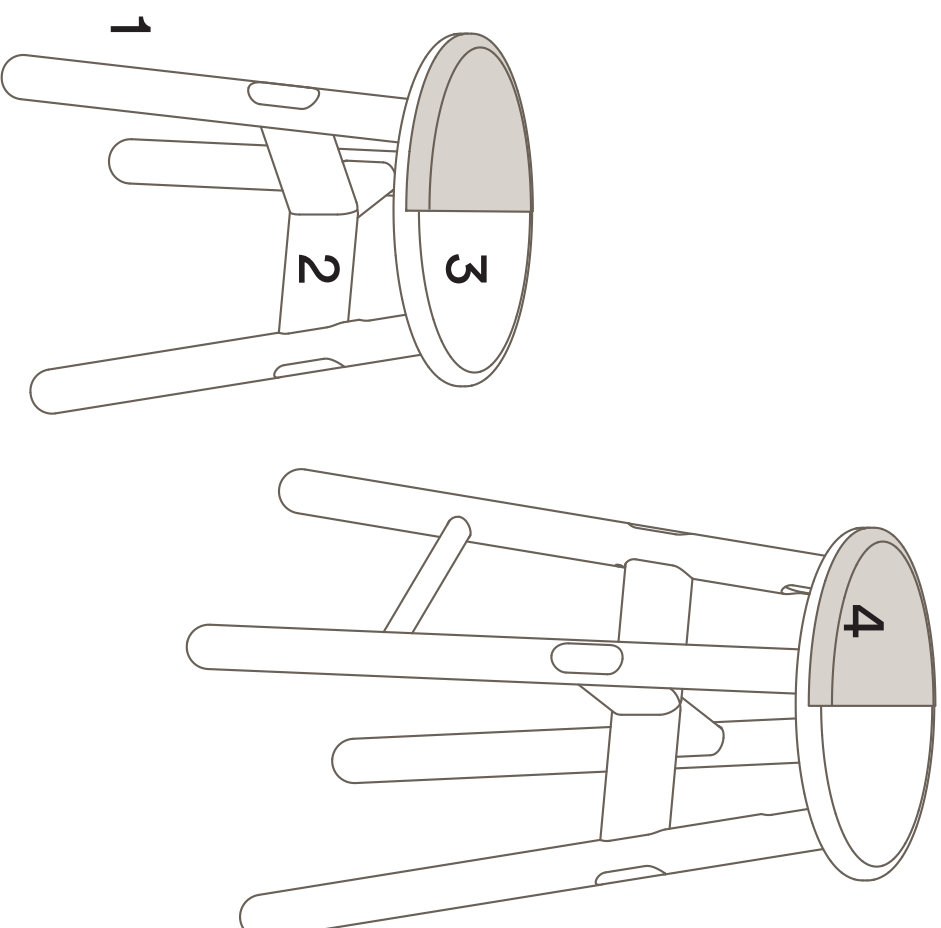
Okidoki Stools are available in solid colour with exposed timber grain to match our current season powdercoat colours.

4. Upholstered Seat Pad

Upholstered seat pads are an optional addition to the Okidoki Chair, bringing a softness and warmth to the design. Two fabric types are available.



Colours are representative only, please check with your Thinking Works consultant to view samples of any specific colour.



Stools Range

Materials Information

Legs

Timber Legs

- a. Ash - Standard
- b. Walnut
- c. Black solid colour with timber grain
- d. White solid colour with timber grain
- e. Seasonal solid colour with timber grain

Frame Finish

Powdercoat Steel & Aluminium Frame

- a. Zanjilla
- b. Pink Salt
- c. Nocturenelle
- d. Minted
- e. Scotland Sky
- f. Green Smoke
- g. Folie
- h. Axel
- i. Blanc
- j. Noir

Seat Pad

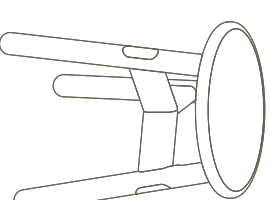
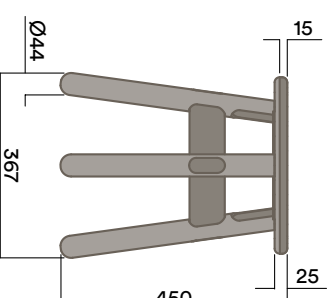
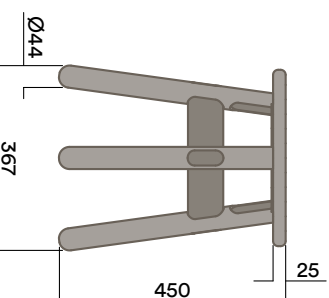
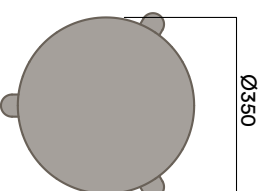
Upholstered Seat Pad

- a. Gabriel Europost 60999
- b. Customer supplied fabric

OKS-1000

Low Stool

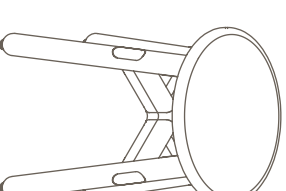
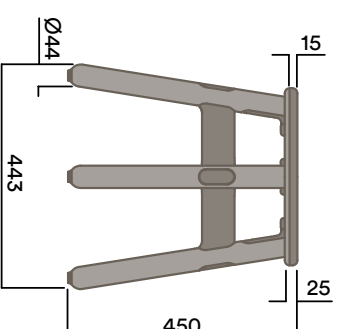
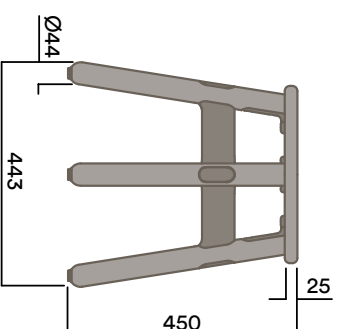
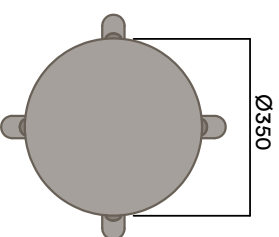
Upholstered Seat Pad



OKS-1040

4 Leg Low Stool

Upholstered Seat Pad



Maximum Load 1 100kg
Seats 1

Stools Range

Materials Information

Legs

Timber Legs

- a. Ash - Standard
- b. Walnut
- c. Black solid colour with timber grain
- d. White solid colour with timber grain
- e. Seasonal solid colour with timber grain

Frame Finish

Powdercoat Steel, Aluminium Frame & Footrest

- a. Zanilla
- b. Pink Salt
- c. Nocturenelle
- d. Minted
- e. Scotland Sky
- f. Green Smoke
- g. Folie
- h. Axel
- i. Blanc
- j. Noir

Seat Pad

Upholstered Seat Pad

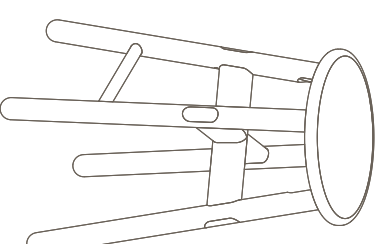
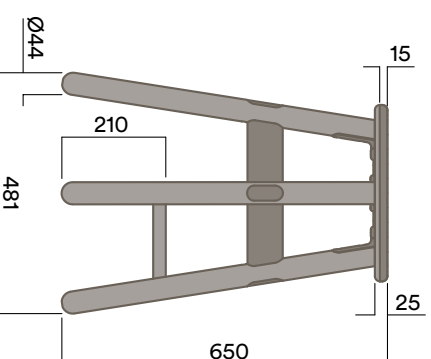
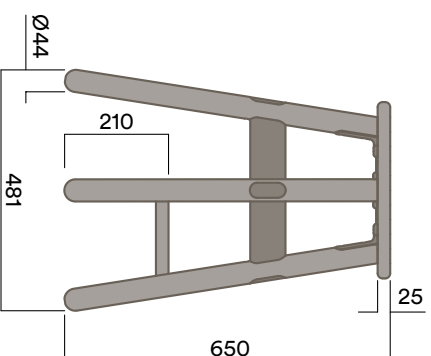
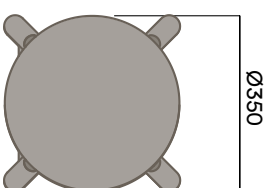
- a. Gabriel Europost 60999
- b. Customer supplied fabric

Maximum Load 1 100kg
Seats 1

OKS-1300

Mid Stool

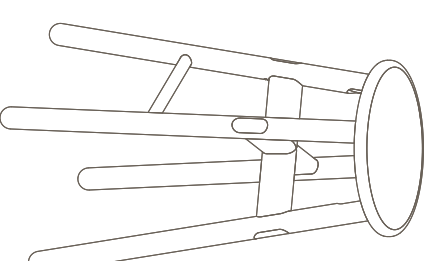
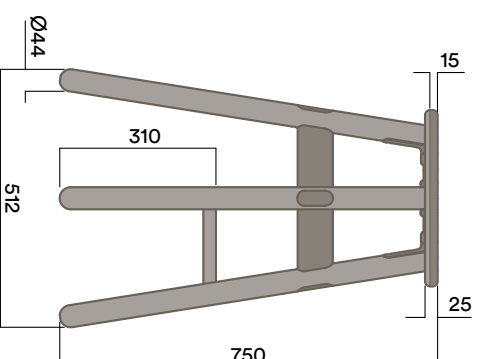
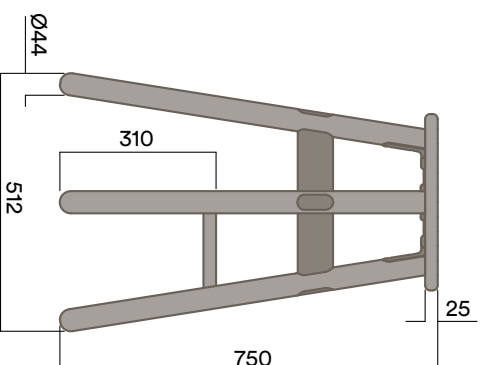
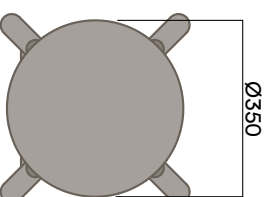
Upholstered Seat Pad



OKS-1500

High Stool

Upholstered Seat Pad



Chair Finishes

Solid and stylish, the Okidoki breakout chair features your choice of the vivid Okidoki colours in its dress cap – just enough to show off its fun character, while being sufficiently understated to work as a standalone product as well as a perfect match for your Okidoki table.

1. Stool

Featuring timber legs available in Ash, Walnut and premium finishes of Black or White solid colour with exposed timber grain, the legs can be finished to either compliment or contrast the steel and aluminium framework.



2. Dress Cap

Okidoki aluminium dress cap is available in our current season powdercoat colours listed. Custom colours are also available.

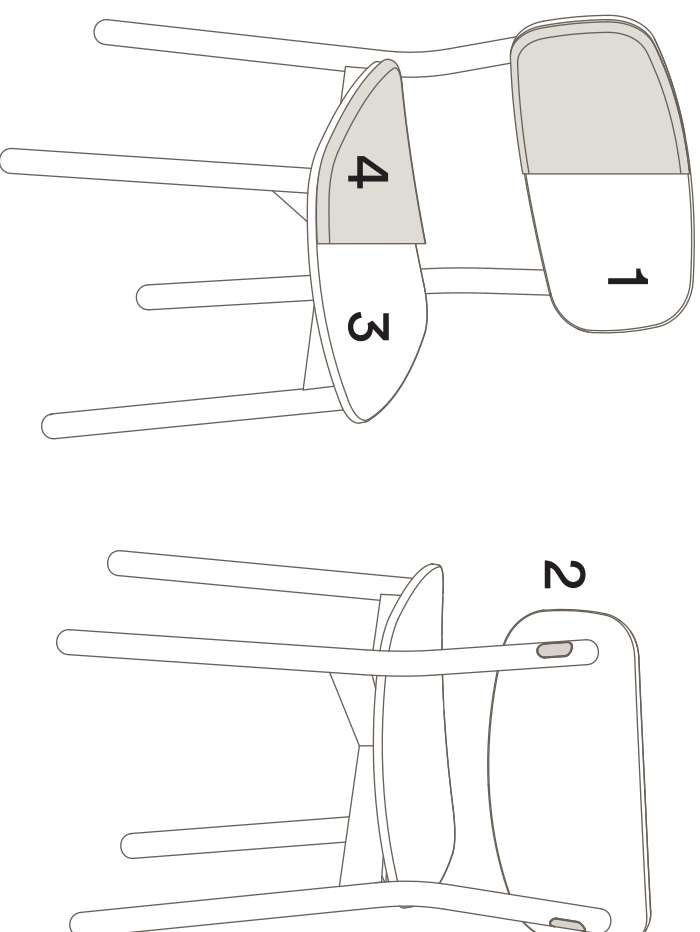


3. Seasonal Solid Colour

Okidoki Chairs are available in solid colour with exposed timber grain to match our current season powdercoat colours.

4. Upholstered Seat Pad

Upholstered seat pads are an optional addition to the Okidoki Chair, bringing a softness and warmth to the design. Two fabric types are available.



Colours are representative only, please check with your Thinking Works consultant to view samples of any specific colour.

Chair Range

Materials Information

Legs

Timber Legs

- a. Ash - Standard
- b. Walnut
- c. Black solid colour with timber grain
- d. White solid colour with timber grain
- e. Seasonal solid colour with timber grain

Dress Cap Finish

Aluminium Dress Cap

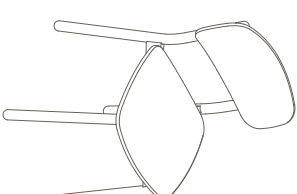
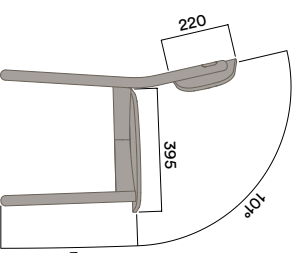
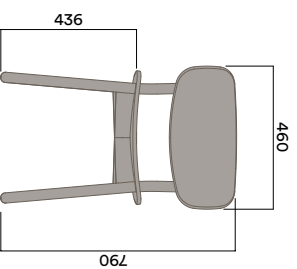
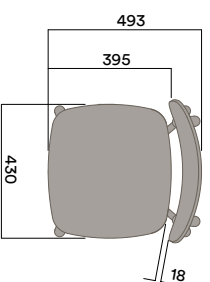
- a. Zanilla
- b. Pink Salt
- c. Nocturnelle
- d. Minted
- e. Scotland Sky
- f. Green Smoke
- g. Folie
- h. Axel
- i. Blanc
- j. Noir

Back & Seat Pad Upholstered Pad

- a. Gabriel Europost 60999
- b. Customer supplied fabric

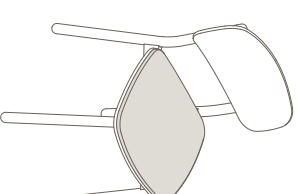
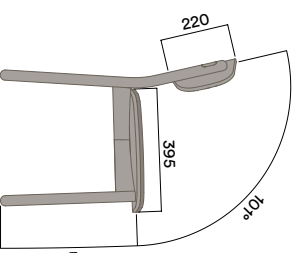
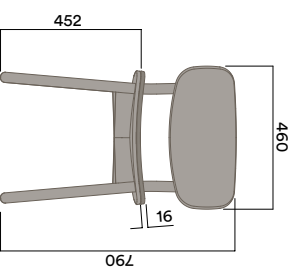
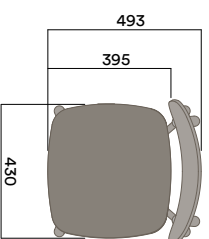
OKS-4000

Chair



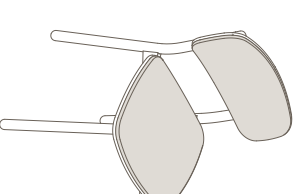
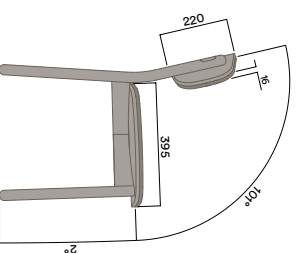
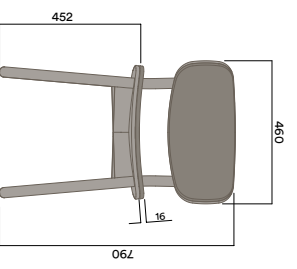
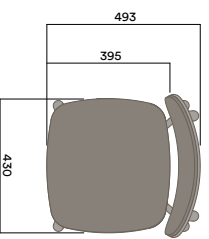
OKS-4011 / OKS-4012

Chair - Seat Pad



OKS-4021 / OKS-4022

Chair - Back and Seat Pad



Maximum Load 100kg
Seats 1

Specification

If you would like a sample set of any of our finishes, please call us on 61 (0)2 9726 7177 or e-mail at sales@thinkingw.com.

Due to our policy of continuous product development, specifications and finishes may change without prior notice.

Sustainability Policy

We realise the importance of responsible business practices and have in place numerous product and company sustainability certifications. We would encourage you to download our annual Sustainability Report from the Thinking Works website to get a full overview of our sustainability program.

Thinking Works
© Copyright 2018
All right reserved

Thinking Works
25 Helles Avenue
Moorebank
New South Wales 2170

www.thinkingw.com
61 (0)2 9726 7177
sales@thinkingw.com